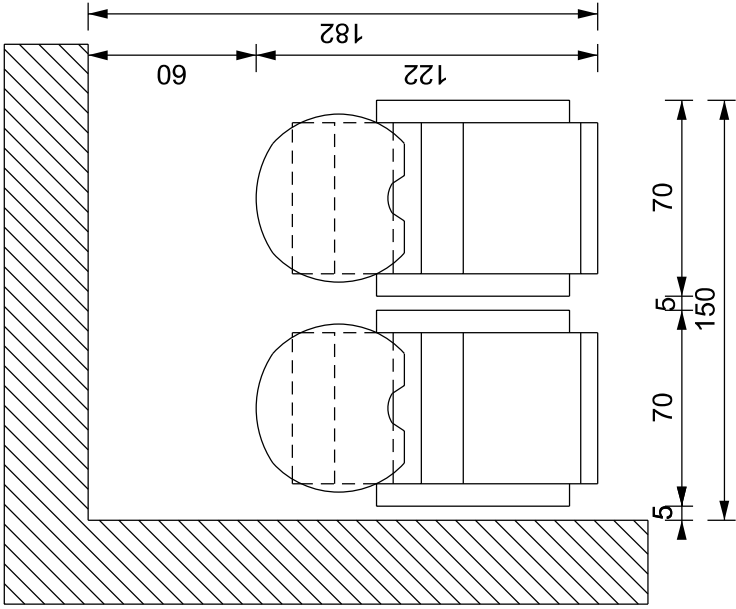
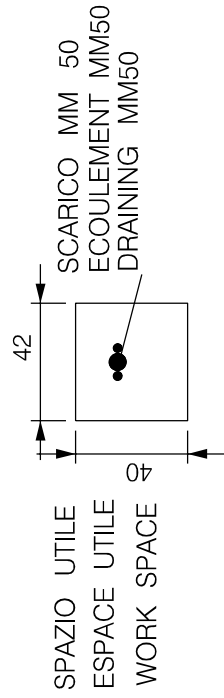


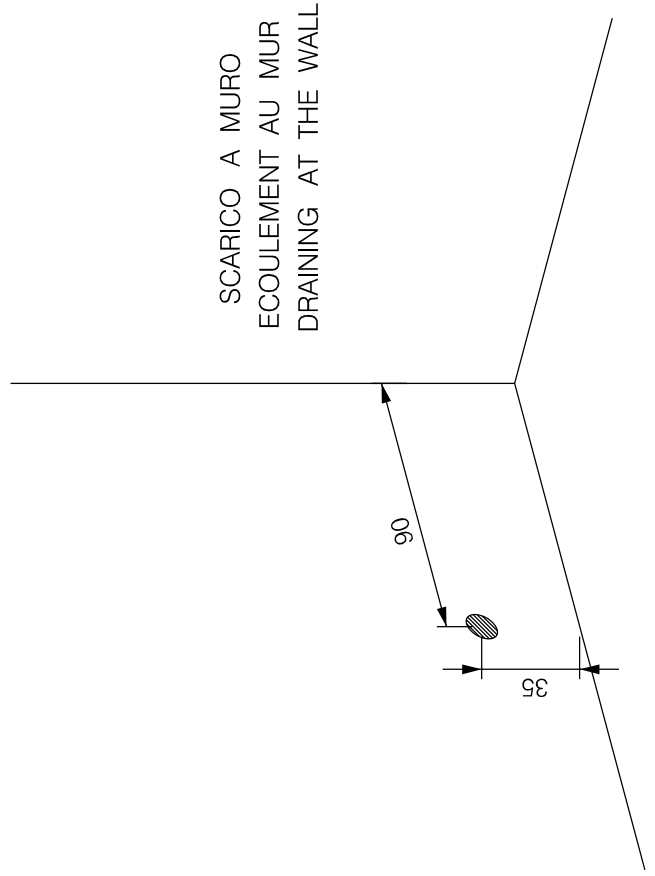
POSIZIONE DEL CENTRO SCARICO  
 POSITION DU CENTRE DE L'ÉCOULEMENT  
 SITUATION OF THE DRAINING CENTER



INGOMBRO TOTALE  
 ENCOMBREMENT TOTAL  
 TOTAL ENCUMBRANCE



SPAZIO UTILE  
 ESPACE UTILE  
 WORK SPACE



SCARICO A MURO  
 ÉCOULEMENT AU MUR  
 DRAINING AT THE WALL